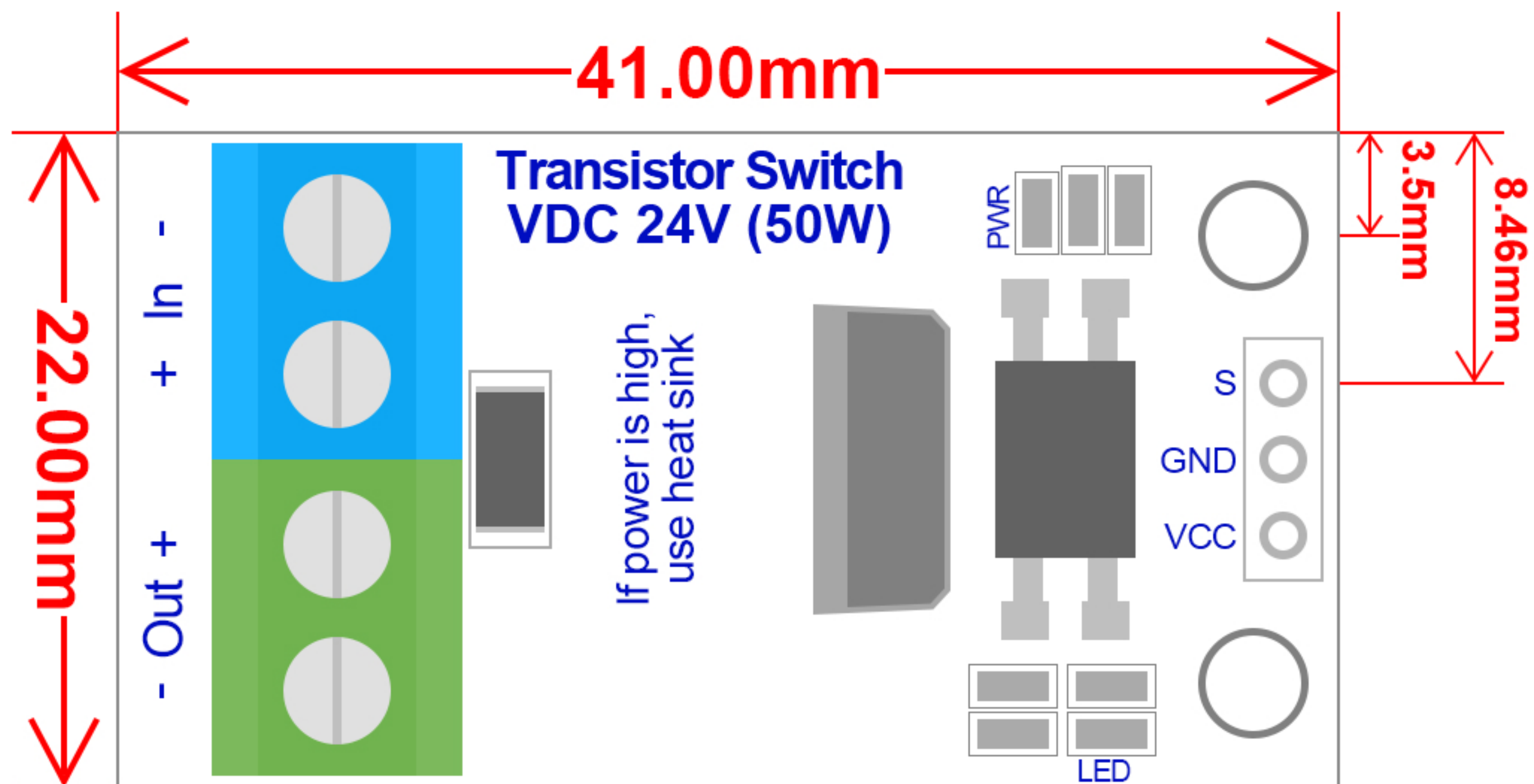


**Transistor DC Relay,
5V logic, DC 24V/30A**



Transistor DC Relay, 5V logic, DC 24V/30A

-  Power
-  Control
-  GND

